

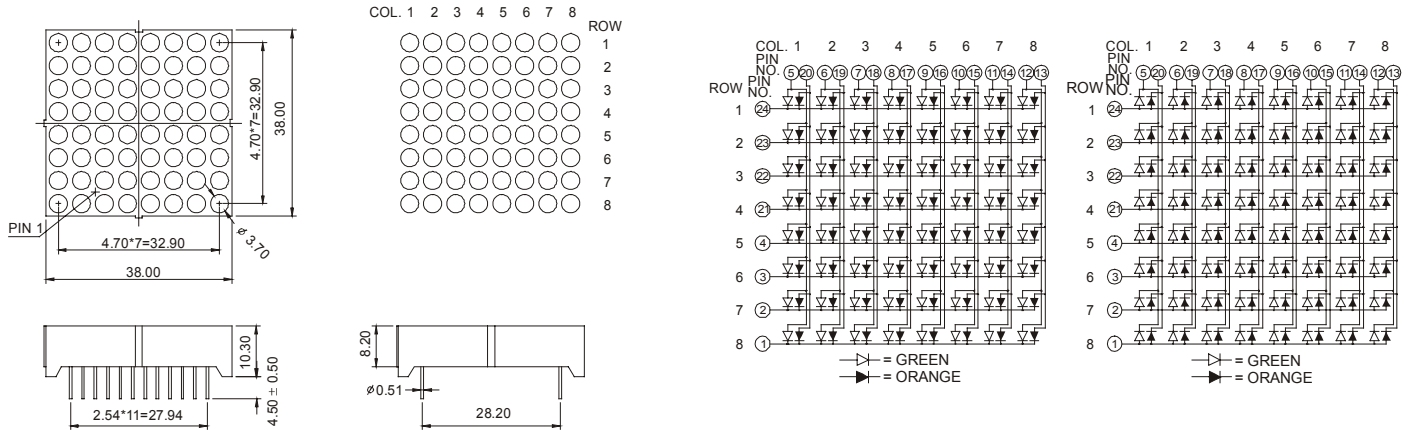


## MCD-15881Axx-Bxx (Bi- COLOR MATRIX DISPLAY)

MCD-15881 Series

MCD-15881AEG

MCD-15881BEG



### Features:

- \*  $\Phi 3.7$  Dot Size
- \* 8x8 Array with x-y select
- \* Low power, High brightness

Part Number	EMITTED COLOR		Common Cathode or Common Anode	Peak Wavelength (nm)	Vf (v) Typ	If (mA)	Intensity Per Dot (mcd)	
							Min.	Typ.
MCD-15881ASG	GaAlAs	Super Red	Common Cathode	660	1.8	20	10	13
	Gap	Green		565	2.1	20	8	11
MCD-15881AEG	GaAsP	Hi.effi Red		635	2.0	20	9	12
	Gap	Green		565	2.1	20	8	11
MCD-15881BSG	GaAlAs	Super Red	Common Anode	660	1.8	20	10	13
	Gap	Green		565	2.1	20	8	11
MCD-15881BEG	GaAsP	Hi.effi Red		635	2.0	20	9	12
	Gap	Green		565	2.1	20	8	11